

Oil&Gas -MWD/LWD

MODEL : DD-HR-150G

PN : 32-126-H150G



ISO 9001 : 2008
ISO 14001 : 2004
MSDS, RoHS, UN

Characteristics

- 3.6V DD-Size Lithium Thionyl Chloride Cell(Li-SOCl₂), Gallium Electrolyte
- High Rate Capability
- High Capacity
- Extreme Shock and Vibration Resistance
- 150°C Operational Temperature

Key Features

- 304L stainless steel structure
- Non-bulge design
- Hermetic glass-to-metal seal engineered for leak free operation
- Integral safety fuse and parallel diode
- Reduced Electrode Surface Area, high rate capability & lower self-discharge

Benefits

- Industry leading capacity
- High rate capability for high constant current and pulse applications
- Gallium based electrolyte providing excellent start up and minimal passivation
- Automated assembly for uniform performance
- Extreme shock and vibration testing to ensure trouble free operation under severe drilling conditions

Technical Support

- We pledge our full support to provide you with the service you deserve
- Application Analysis
- Testing and Test Reports
- Analysis of field problems and reports
- Engineering support for custom applications

Abuse and Transport Certifications

- UN/DOT Certified : Class 9 Transport, UN3090 Lithium Metal Batteries
- Shock Testing : 1000G 0.5 ms 10 shocks each axis at 150°C
- Vibration Testing : 30G Sine & 20G random vibration at 150°C(Full report available)

Cell Characteristics

| | |
|--|-----------------------------------|
| Nominal Capacity | 26Ah ~ 28Ah |
| <small>Based on 580mA discharge at temperatures of 25~150°C to a 2.0V cutoff. Discharge at higher currents or lower temperatures will affect capacity obtained.</small> | |
| Open Circuit Voltage | 3.65V |
| <small>At 20°C</small> | |
| Nominal Closed Circuit Voltage | 3.2V |
| <small>Based on stable CCV produced at 25°C under a 320mA load. The CCV of a cell will decay slightly over discharge due to the normal increase in internal impedance.</small> | |
| Constant Current Discharge | 580mA 1300mA(reduced capacity) |
| Storage Conditions | 30°C (86°F) Max |
| Operational Temperature Range | -40°C to 150°C |
| <small>Note full capacity is obtained at temperatures of 25°C and above. Below 25°C both the rate capability and the capacity of the cell are reduced.</small> | |
| Fuse | 5.0A |
| Fuse Parallel Diode | 3.0A |

Physical Characteristics

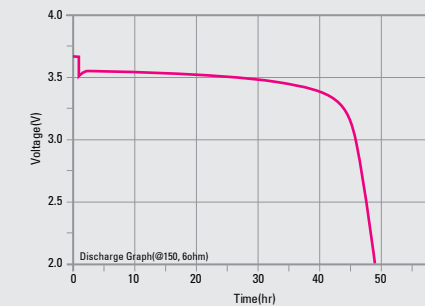
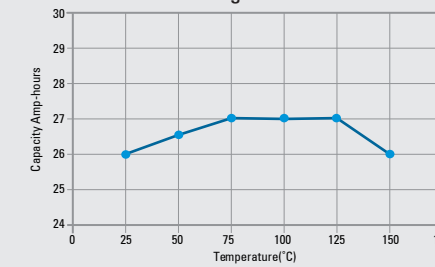
| | |
|-----------------------|-----------------|
| Diameter | 31.9mm(1.26 in) |
| Height | 127.0mm(5.0 in) |
| Weight | 230g |
| Lithium Metal Content | 8.02g |

Packing Information

| | |
|--------------------------|-------------------|
| Packing Qty per C/T | 64 |
| Net Weight per C/T(Kg) | 14.72 |
| Gross Weight per C/T(Kg) | 15.82 |
| C/T Size | 427mm×302mm×210mm |

Temperature versus Capacity

Discharge Temperature vs. Nominal Capacity
6Ω Discharge 25 to 150°C



Storage

- Store cells in a cool(<30°C) and dry location

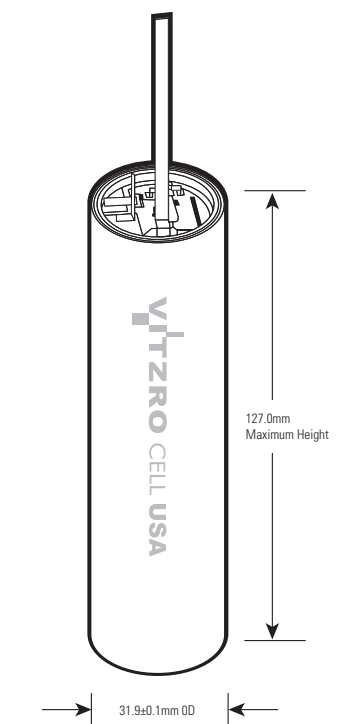
Warning

- Fire, explosion, and burn hazard
- Contents of this hermetically sealed cell are water reactive and will produce flammable and toxic gases if exposed to water
- Do not recharge, expose to flame, short circuit, crush, disassemble, or incinerate
- Do not expose cell to temperatures in excess of the maximum operating temperature, 150°C

Note

- Any information given here is for reference only. Information is also dependent on actual conditions and does not guaranty future performance. And subject to change.

External Dimensions



VITZROCELL USA, Inc.

USA Sales & Warehouse
10804 Fallstone, Suite 200,
Houston, TX 77099, USA
Office : 1 832 850 7095
Email : arose@vitzrocellusa.com
Web : www.vitzrocellusa.com

Canada Sales

Email : jlundquist@vitzrocellusa.com
Web : www.vitzrocellusa.com

VITZROCELL Co., Ltd.

Head Office & Factory
Chusa-ro 235-35 Sinam-myun, Yesan-gun,
Chungcheongnam-do, South Korea
(Zip code : 32417)
Tel : +82-41-332-8642
Fax : +82-41-332-8646
Seoul Office
VITZROCELL B/D 25Gil-10 Neungdong-ro,
Gwangjin-Gu, Seoul (Zip code : 04998)
Tel : +82-2-2024-3252
Fax : +82-2-499-2756
Email : overseas@vitzrocell.com
Web : www.vitzrocell.com