

Oil&Gas

- MWD/LWD

MODEL : D-HR 165 PN : HGD016A



ISO 9001 : 2008
ISO 14001 : 2004
MSDS, RoHS, UN

Key Features

304L stainless steel structure
Non-bulge design
Hermetic glass-to-metal seal engineered for leak free operation
Integral safety fuse and parallel diode
Reduced Electrode Surface Area, high rate capability & lower self-discharge

Benefits

Industry leading capacity
High rate capability for high constant current and pulse applications
Gallium based electrolyte providing excellent start up and minimal passivation
Automated assembly for uniform performance
Extreme shock and vibration testing to ensure trouble free operation under severe drilling conditions

Technical Support

We pledge our full support to provide you with the service you deserve
Application Analysis
Testing and Test Reports
Analysis of field problems and reports
Engineering support for custom applications

Abuse and Transport Certifications

UN/DOT Certified : Class 9 Transport, UN3090 Lithium Metal Batteries
Shock Testing : TBD
Vibration Testing : TBD

Characteristics

- 3.6V D-Size Lithium Thionyl Chloride Cell (Li-SOCl₂)
- Gallium Electrolyte
- High Rate Capability
- High Capacity
- Extreme Shock and Vibration Resistance
- 165°C Operational Temperature

Cell Characteristics

Nominal Capacity Based on 580mA discharge at temperatures of 25~165°C to a 2.0V cutoff Discharge at higher currents or lower temperatures will affect capacity obtained.	10.0Ah
Open Circuit Voltage At 20°C	3.650~3.685V
Nominal Closed Circuit Voltage Based on stable CCV produced at 25°C under a 130mA load The CCV of a cell will decay slightly over discharge due to the normal increase in internal impedance.	3.2V
Constant Current Discharge	320mA
Storage Conditions	30°C(86°F) Max
Operational Temperature Range Note full capacity is obtained at temperatures of 25°C and above. Below 25°C both the rate capability and the capacity of the cell are reduced.	-40°C~165°C
Fuse	4.0A
Fuse Parallel Diode	3.0A

Physical Characteristics

Diameter	31.9mm
Height	60.0mm
Weight	115g
Lithium Metal Content	3.3g

Packing Information

Packing Qty per C/T	80
Net Weight per C/T(Kg)	9.2
Gross Weight per C/T(Kg)	10.2
C/T Size	450mm x 250mm x 230mm

Storage

Store cells in a cool(<30°C) and dry location.

Warning

Fire, explosion, and burn hazard.

Contents of this hermetically sealed cell are water reactive and will produce flammable and toxic gases if exposed to water.

Do not recharge, expose to flame, short circuit, crush, disassemble, or incinerate.

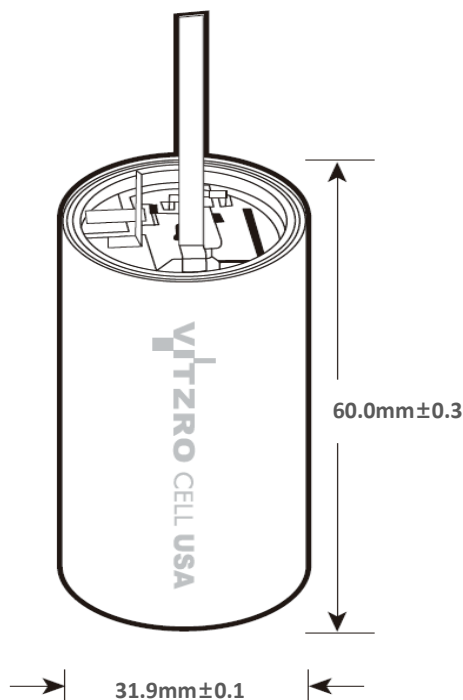
Do not expose cell to temperatures in excess of the maximum operating temperature, 165°C.

Note

Any information given here is for reference only.

Information is also dependent on actual conditions and does not guaranty future performance and subject to change.

External Dimensions



VITZROCELL USA, Inc.

USA Sales & Warehouse

10804 Fallstone, Suite 200,
Houston, TX 77099, USA

Office : 1 832 850 7095

Email : arose@vitzrocellusa.com

Web : www.vitzrocellusa.com

Canada Sales

Email : jlundquist@vitzrocellusa.com

Web : www.vitzrocellusa.com

VITZROCELL Co., Ltd.

Head Office & Factory

Chusa-ro 235-35 Sinam-myun, Yesan-gun,
Chungcheongnam-do, South Korea
(Zip code : 32417)

Tel : +82-41-332-8642

Fax : +82-41-332-8646

Seoul Office

VITZROCELL B/D 25Gil-10 Neungdong-ro,
Gwangjin-Gu, Seoul (Zip code : 04998)

Tel : +82-2-2024-3252

Fax : +82-2-499-2756

Email : overseas@vitzrocell.com

Web : www.vitzrocell.com