

Oil&Gas -MWD/LWD

MODEL : DD-MR-180

PN : 32-126-M180G



ISO 9001 : 2008
ISO 14001 : 2004
MSDS, RoHS, UN

Characteristics

- 3.6V DD-Size Lithium Thionyl Chloride Cell(Li-SOCl₂), Gallium Electrolyte
- Moderate Rate Capability
- High Capacity
- Extreme Shock and Vibration Resistance
- 180°C Operational Temperature

Key Features

- 304L stainless steel structure
- Non-bulge design
- Hermetic glass-to-metal seal engineered for leak free operation
- Integral parallel diode
- Reduced Electrode Surface Area, high rate capability & lower self-discharge

Benefits

- Industry leading capacity in Non-Bulge Design
- Moderate Rate Capability for constant current and pulse applications
- Gallium based electrolyte providing excellent start up and minimal passivation
- Automated assembly for uniform performance
- Extreme shock and vibration resistant design, trouble free operations under severe drilling conditions

Technical Support

- We pledge our full support to provide you with the service you deserve
- Application Analysis
- Testing and Test Reports
- Analysis of field problems and reports
- Engineering support for custom applications

Abuse and Transport Certifications

- UN/DOT Certified : Class 9 Transport, UN3090 Lithium Metal Batteries
- Shock Testing : To be determined
- Vibration Testing : To be determined

Cell Characteristics

Nominal Capacity	22Ah ~ 25Ah
<small>Based on 225mA discharge at temperatures of 100-180°C to a 2.0V cutoff. Discharge at higher currents or lower temperatures will affect capacity obtained.</small>	
Open Circuit Voltage At 20°C	3.65V
Nominal Closed Circuit Voltage	3.2V
<small>Based on stable CCV produced at 100°C under a 140mA load. The CCV of a cell will decay slightly over discharge due to the normal increase in internal impedance.</small>	
Constant Current Discharge	225mA 320mA(reduced capacity)
Storage Conditions	30°C (86°F) Max
Operational Temperature Range	50°C to 180°C
<small>Note full capacity is obtained at temperatures of 25°C and above. Below 25°C both the rate capability and the capacity of the cell are reduced.</small>	
Parallel Diode	3.0A

Physical Characteristics

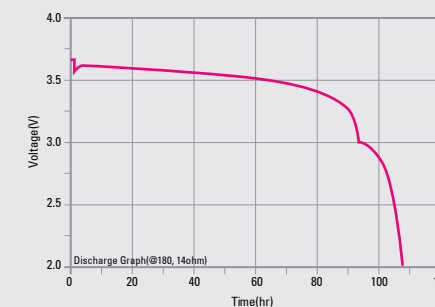
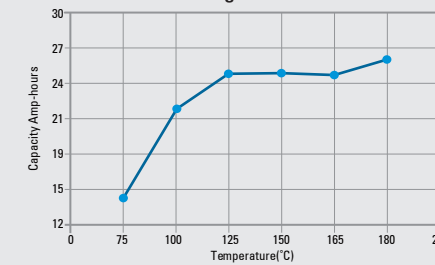
Diameter	31.9mm(1.26 in)
Height	127.0mm(5.0 in)
Weight	225g
Lithium Metal Content	8.30g

Packing Information

Packing Qty per C/T	64
Net Weight per C/T(Kg)	14.4
Gross Weight per C/T(Kg)	15.5
C/T Size	427mm×302mm×210mm

Temperature versus Capacity

Discharge Temperature vs. Nominal Capacity
14Ω Discharge 75°C to 180°C



Storage

- Store cells in a cool(<30°C) and dry location

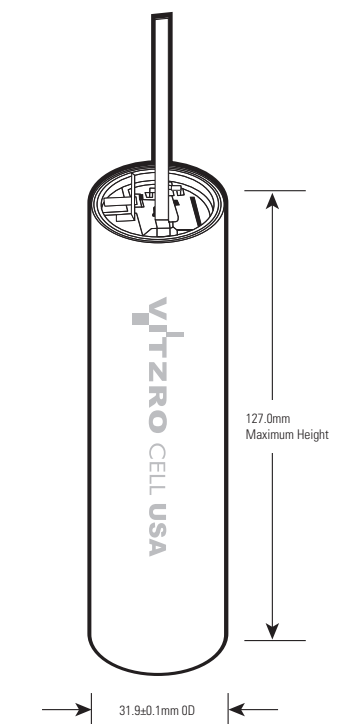
Warning

- Fire, explosion, and burn hazard
- Contents of this hermetically sealed cell are water reactive and will produce flammable and toxic gases if exposed to water
- Do not recharge, expose to flame, short circuit, crush, disassemble, or incinerate
- Do not expose cell to temperatures in excess of the maximum operating temperature, 180°C

Note

- Any information given here is for reference only. Information is also dependent on actual conditions and does not guaranty future performance. And subject to change.

External Dimensions



VITZROCELL USA, Inc.

USA Sales & Warehouse
10804 Fallstone, Suite 200,
Houston, TX 77099, USA
Office : 1 832 850 7095
Email : arose@vitzrocellusa.com
Web : www.vitzrocellusa.com

Canada Sales

Email : jlundquist@vitzrocellusa.com
Web : www.vitzrocellusa.com

VITZROCELL Co., Ltd.

Head Office & Factory
Chusa-ro 235-35 Sinam-myun, Yesan-gun,
Chungcheongnam-do, South Korea
(Zip code : 32417)
Tel : +82-41-332-8642
Fax : +82-41-332-8646
Seoul Office
VITZROCELL B/D 25Gil-10 Neungdong-ro,
Gwangjin-Gu, Seoul (Zip code : 04998)
Tel : +82-2-2024-3252
Fax : +82-2-499-2756
Email : overseas@vitzrocell.com
Web : www.vitzrocell.com